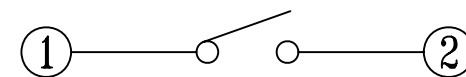
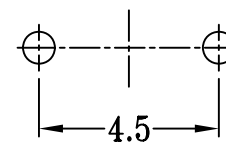
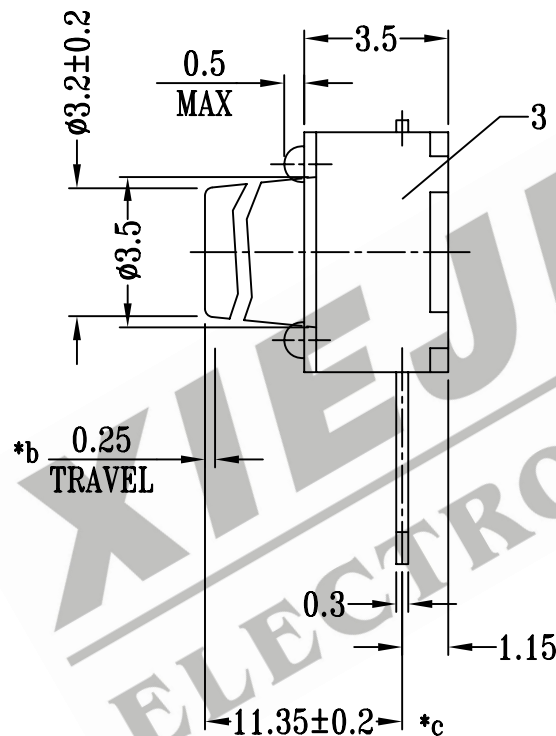
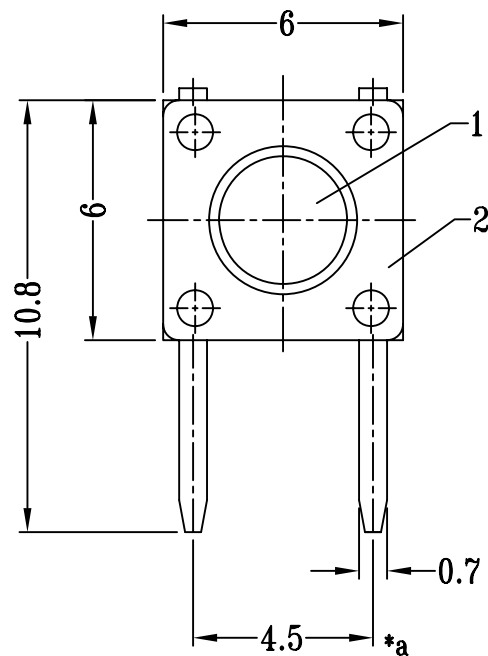


CAD FILE:



SCHEMATIC



P.C.B LAYOUT

OPERATING FORCE	CODE
100gf	T
130gf	V
160gf	X
170gf	W
190gf	Y
250gf	Z

注：“*”表示关键尺寸（3个）

NO.	PART NAME	MATERIAL	Q'TY	FINISHING	TOLERANCE UNLESS SPECIFIED	SHENZHEN XIEJIA ELECTRONICS CO.,LTD.				
8					WITHIN: 1.5±0.1mm OVER : 1.5±0.2mm	ISSUE	DATE	DESCRIPTIONS		APPD.
7										
6					TITLE : TACT SWITCH MODEL: TC-0507 ALL MATERIALS MUST BE COMPLIANT TO ROHS	UNIT : MM	SCALE: 5 : 1	DRWG NO.: XJ-DR-TC0507-00		
5				DWN.				ZHOUYU	2002-8-12	
4	CONTACT	PBT/BRASS STRIP	1	BLACK/Ag PLATED				CHK'D	FANGYING	2002-8-12
3	CASE	SEE CONTACT CHART	1	Ag CLAD				APPD.	KANGXINAN	2002-8-12
2	COVER	ZINC PLATE	1	WASHING						
1	KNOB	POM	1	SEE KNOB CHART						